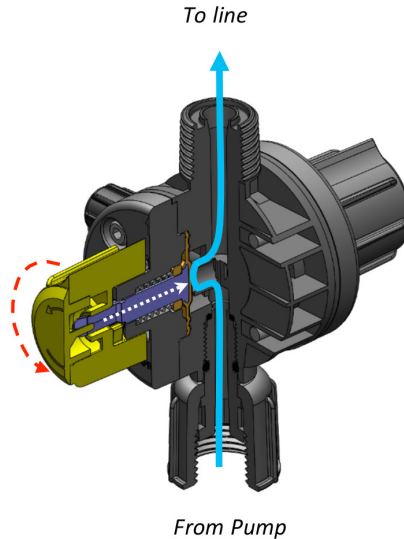


Introducing the New Multifunction Valve

The new multifunction valve, **MFV**, adds performance, safety and convenience to a meeting pump system.

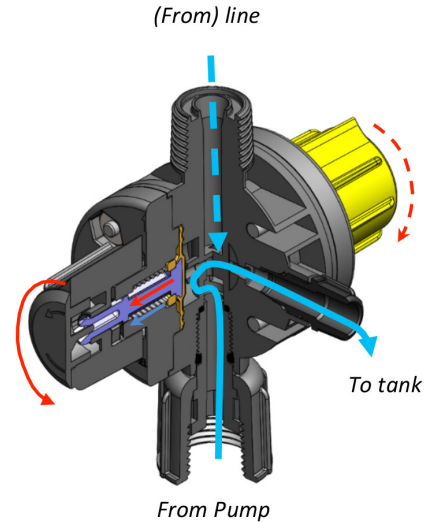
The integrated design mounts directly on the liquid end of the pump as a cost effective solution to address common challenges in chemical metering applications.

Yellow Knob



Function	Action
Back-Pressure	Automatic
Anti-Siphon	Automatic
Burp	Turn Yellow

Black Knob



Function	Action
Pressure Relief	Automatic
Prime	Turn Black
Drain Line	Turn B & Y



**The new MFV replaces all previous generations 3-FV and 4-FV from LMI.
Retrofit Kits offer all components needed to upgrade your function valve.**

Standard Version

Designed for General Applications

Retrofit Kit Numbers	Body Material: PVDF	Retrofit Kit Numbers	Body Material: PVC
57706	MFV Retrofit Kit, 150 PSI	58060	MFV Pro Retrofit Kit, 150 PSI
57707	MFV Retrofit Kit, 250 PSI	58061	MFV Pro Retrofit Kit, 250 PSI

Pro Version

Designed for Sodium Hypochlorite Applications

Retrofit Kit Components:

New Multifunction Valve (MFV)

(3) Black Polyprel® O-rings

(3) White PTFE O-rings

(1) 3/8" Tubing for Relief Line

(2) Fittings for Liquid Ends:

- PVDF double ball fitting for Series 900 and 800
- PVDF single ball fitting for Series 700, 400, and 300



**Replaces all previous models!
Legacy 3-FV & 4-FV
Roytronic 4-FV**

Contact your local stocking distributor today!

www.lmipumps.com

