

# Series SD

## Mechanical Metering Pumps

# DATA SHEET

### Model Code for Complete Pumps:

Code:	Drive (Motor)			Motor &/or Mount	Liquid End		
	Frame (D or G)	Liquid End Size Code	Gear Ratio Code		Liquid End Material	Connections	
	<b>S</b>	<b>D</b>	<b>4</b>	<b>3</b>	<b>J</b>	<b>7</b>	<b>P</b>

### Configuration Data

Series	Capacity per Hour Maximum		Strokes per Minute		Maximum Injection Pressure	Stroke Length (Adjustable) Recommended Minimum	Average Shipping Weight
	Gallons @ 60 Hz	Liters @ 50 Hz	60 Hz	50 Hz			
SD21	0.18/ *0.12	0.6/ *0.4	43	36	175 psi (12.1 Bar)	0 - 100% (Minimum 10%)	45 lbs. (20 kg)
SD22	0.35/ *0.23	1.1/ *0.7	86	72	175 psi (12.1 Bar)		
SD26	0.48/ *0.34	1.5 / *1.0	120	102	175 psi (12.1 Bar)		
SD23	0.70/ *0.51	2.2/ *1.6	173	144	175 psi (12.1 Bar)		
SD41	3	9.5	43	36	150 psi (10.3 Bar)		
SD42	6.6	21	86	72	150 psi (10.3 Bar)		
SD46	10	26	120	102	150 psi (10.3 Bar)		
SD43	14.4	45	173	144	150 psi (10.3 Bar)		
SD71	13	38	43	36	100 psi (6.9 Bar)		
SD72	25	79	86	72	100 psi (6.9 Bar)		
SD76	34	106	120	102	100 psi (6.9 Bar)		
SD73	50	159	173	144	100 psi (6.9 Bar)		
SD81	31	98	43	36	75 psi (5.2 Bar)		
SD82	57	178	86	72	75 psi (5.2 Bar)		
SD86	87	273	120	102	75 psi (5.2 Bar)		
SD83	127	401	173	144	75 psi (5.2 Bar)		

\*Note: SD Series PVC and PVDF rating

#### Motor:

- 8** -- 0.25 hp, 1725 rpm, 1 Phase, 60 Hertz, 115/230 Volt, TEFC, NEMA 56C
- 9** -- 0.33 hp (.25 kW), 1425 rpm, 1 Phase, 50 Hertz, 115/230 Volt, TEFC, NEMA 56C
- J** -- 0.25 hp, 1725 rpm, 3 Phase, 60 Hertz, 230/460 Volt, TEFC, NEMA 56C
- L** -- 0.33 hp (.25 kW), 1425 rpm, 3 Phase, 50 Hertz, 220/380/440 Volt, TEFC, NEMA 56C
- P** -- DC Variable Speed Drive, 0.5 hp 1725 rpm TEFC motor w/DC Drive, 4-20 ma input, NEMA 4/12 115 VAC
- X** -- MOTOR MOUNT less Motor (Flange Mount, NEMA 56C)

#### Liquid End:

See next page for complete liquid end specification and selection.



Intertek

### Model Code for Drives only:

Drive (Motor) - only				
Frame (D or G)	Liquid End Size Code	Gear Ratio Code	Motor &/or Mount	
<b>S</b>	<b>D</b>			<b>- DR</b>

Liquid End Size Code	Liquid End Size Code	
	Description	Max GPH @ 173 SPM
<b>2</b>	Fits only liquid end code 2	0.7
<b>4</b>	Liquid end 5,6 & 7 are interchangeable on drives with any of these codes	14.4
<b>7</b>		50
<b>8</b>	Fits only liquid end code 8	127

Gear Ratio Code	Gear Ratio	
	SPM @	
	60 hz 1725 rpm	50 hz 1425 rpm
<b>1</b>	43	36
<b>2</b>	86	72
<b>6</b>	120	102
<b>3</b>	173	144

Motor &/or Mount	MOTORS:
<b>8</b>	See Motor Description for details
<b>9</b>	
<b>J</b>	
<b>L</b>	
<b>P</b>	
<b>X</b>	MOUNT less Motor

### Model Code for Liquid Ends only:

Liquid End - only			
Frame (D or G)	Liquid End Size Code	Liquid End Material	Connections
<b>S</b>	<b>D</b>		<b>- LE</b>

Liquid End Size Code	Liquid End Size Code	
	Description	Max GPH @ 173 SPM
<b>2</b>	Fits only liquid end code 2	0.7
<b>4</b>	Liquid end 5,6 & 7 are interchangeable on drives with any of these codes	14.4
<b>7</b>		50
<b>8</b>	Fits only liquid end code 8	127

Liquid End Material	Liquid End Material / Application: See Materials of Construction on back of sheet
<b>2</b>	PVDF
<b>7</b>	316SS
<b>8</b>	PVC
<b>P</b>	Polymer Appl.
<b>L</b>	Slurry Appl.
<b>N</b>	H2S04 Appl.

Connections	Connections
<b>P</b>	NPT (Standard)



## Standard Liquid End Configuration Data & Materials of Construction

Drive Assembly <input type="checkbox"/> Motor Code	Liquid End		Size Code	Materials of Construction						RPM Kit
	LE Material	Connections		Head / Fittings	Balls	Diaphragm	Valve Seat	Seals	Connections	
SD21 <input type="checkbox"/>	2	P	2	PVDF/PVDF	Ceramic	Fluorofilm™	Alloy C22	PolyPrel®	1/4" NPTM	RPM 099
SD22 <input type="checkbox"/>	7	P	2	316ss/316ss <sup>Note 2</sup>	316ss	Fluorofilm™	316ss	PTFE	1/4" NPTM	RPM 101
SD26 <input type="checkbox"/>	8	P	2	PVC/PVDF <sup>Note 2</sup>	Ceramic	Fluorofilm™	Alloy C22	PolyPrel®	1/4" NPTM	RPM099
SD23 <input type="checkbox"/>	P	P	2	PVC/PVDF	Alloy 20	Fluorofilm™	Alloy 22	Viton®	1/4" NPTM	Call factory
	N	P	2	PVC/PVDF	Alloy 20	Fluorofilm™	Alloy 20	PolyPrel®	1/4" NPTM	Call factory
SD41 <input type="checkbox"/>	2	P	4	PVDF/PVDF	Ceramic	Gylon®	PTFE	PolyPrel®	1/4" NPTM	RPM 102
SD42 <input type="checkbox"/>	7	P	4	316ss/316ss <sup>Note 2</sup>	316ss	Gylon®	316ss	PTFE	1/4" NPTM	RPM 104
SD46 <input type="checkbox"/>	8	P	4	PVC/PVDF <sup>Note 2</sup>	Ceramic	Gylon®	PTFE	PolyPrel®	1/4" NPTM	RPM 102
SD43 <input type="checkbox"/>	P	P	4	PVC/PVDF	316ss	Gylon®	316ss	Viton®	1/4" NPTM	RPM 196
	L	P	4	316ss/316ss	316ss	Gylon®	316ss	N/A	1/2" NPTM	RPM 212
	N	P	4	PVC/PVDF	Alloy 20	Gylon®	Alloy 20	PolyPrel®	1/4" NPTM	RPM 173
SD71 <input type="checkbox"/>	2	P	7	PVDF/PVDF	Ceramic	Gylon®	PVDF	Teflex®	1/2" NPTF	RPM 136
SD72 <input type="checkbox"/>	7	P	7	316ss/316ss <sup>Note 2</sup>	316ss	Gylon®	316ss	Viton®	1/2" NPTF	RPM 137
SD76 <input type="checkbox"/>	8	P	7	PVC/PVDF <sup>Note 2</sup>	Ceramic	Gylon®	PVC	Viton®	1/2" NPTF	RPM 135
SD73 <input type="checkbox"/>	P	P	7	PVC/PVC	316ss	Gylon®	316ss	Viton®	1/2" NPTF	RPM 211
	L	P	7	PVC/316ss	316ss	Gylon®	316ss	Viton®	1/2" NPTF	RPM 401
	N	P	7	PVC/PVDF	Alloy 20	Gylon®	Alloy 20	PolyPrel®	1/2" NPTF	RPM 175
SD81 <input type="checkbox"/>	2	P	8	PVDF/PVDF	Ceramic	Gylon®	PVDF	Teflex®	1/2" NPTF	RPM 106
SD82 <input type="checkbox"/>	7	P	8	316ss/316ss <sup>Note 2</sup>	316ss	Gylon®	316ss	Viton®	1/2" NPTF	RPM 107
SD86 <input type="checkbox"/>	8	P	8	PVC/PVDF <sup>Note 2</sup>	Ceramic	Gylon®	PVC	Viton®	1/2" NPTF	RPM 105
SD83 <input type="checkbox"/>	P	P	8	PVC/PVC	316ss	Gylon®	316ss	Viton®	1/2" NPTF	RPM 210
	L	P	8	PVC/316ss	316ss	Gylon®	316ss	Viton®	1/2" NPTF	Call factory
	N	P	8	PVC/PVDF	Alloy 20	Gylon®	Alloy 20	Viton®	1/2" NPTF	RPM 183

Note 1: Teflex® is a Teflon encapsulated Viton O-ring  
 Note 2: Liquid ends ETL certified to ANSI /NSF Std. 50

Teflex, Teflon and Viton are registered trademarks of E.I. DuPont de Nemours and Company

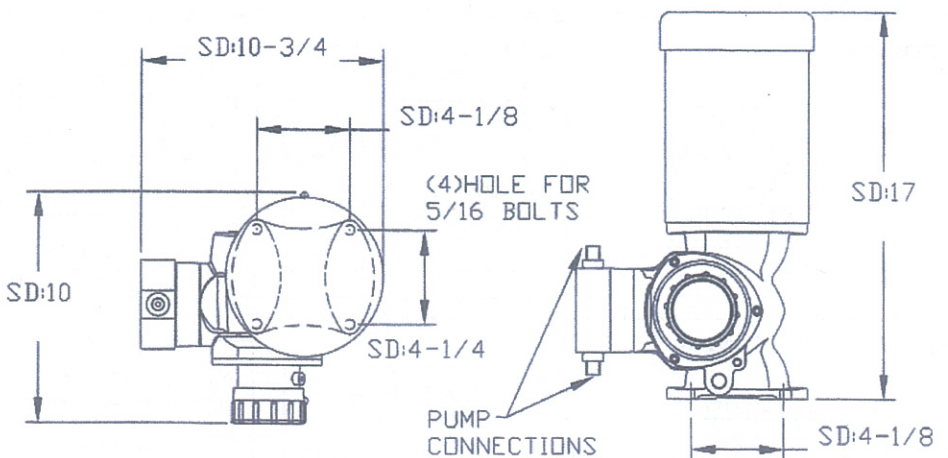
Gylon is a registered trademark of Garlock

Fluorofilm is a trademark of Milton Roy, LLC

Polyprel is a registered trademark of Milton Roy, LLC

### Dimensions

Approximate for envelope estimations.  
 Dimensions are shown in inches.



ph: 215-293-0401

lmipumps.com • email: info@lmipumps.com

**WARNING:** A pressure relief valve MUST be installed in the discharge line of all motor driven pumps.

